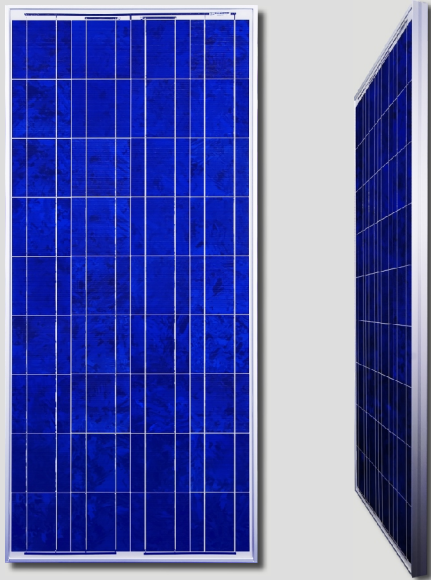


CS6C

100/110/120/130



Key Features

- Strong framed module, passing mechanical load test of 5400Pa to withstand heavier snow load
- Industry leading power tolerance : $\pm 5W$ ($\pm 3.8\%$)
- 25 years module power output warranty
- The 1st manufacturer in PV industry certified for ISO:TS16949 (The automotive quality management system) in module production since 2003
- ISO17025 qualified manufacturer owned testing lab (pending), fully complying to IEC, TUV, UL testing standards

All-purpose

CS6C is a robust all purpose solar module with 36 solar cells. These modules can be used for on-grid and off-grid solar applications. Our meticulous design and production techniques ensure a high-yield, long-term performance for every module produced. Our rigorous quality control and in-house testing facilities guarantee Canadian Solar's modules meet the highest quality standards possible.

Applications

- Residential roof-top systems
- Commercial/industrial building roof-top systems
- Large on-grid and off-grid solar power stations
- Rural area applications
- Other on-grid and off-grid applications

Quality Certificates

- IEC61215, IEC61730, UL1703, CE
- ISO9001:2000: Standards for quality management systems
- ISO/TS16949:2002: The automotive quality management system
- QC080000 HSPM: The Certification for Hazardous Substances Regulations



CS6C-100/110/120/130

Electrical Data

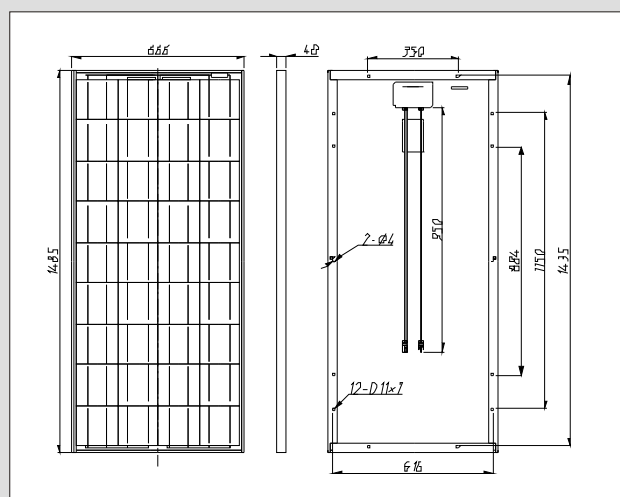
		CS6C-100	CS6C-110	CS6C-120	CS6C-130
Nominal Maximum Power at STC (Pmax)		100W	110W	120W	130W
Optimum Operating Voltage (Vmp)		17.3V	17.3V	17.3V	17.5V
Optimum Operating Current (Imp)		5.79A	6.36A	6.92A	7.43A
Open Circuit Voltage (Voc)		21.5V	21.6V	21.7V	22V
Short Circuit Current (Isc)		6.46A	7.01A	7.52A	7.96A
Operating Temperature		-40°C~+85°C			
Maximum System Voltage		1,000V(IEC)/600V(UL)			
Maximum Series Fuse Rating		15A			
Power Tolerance		± 5W			
Temperature Coefficient	Pmax	-0.45%/°C			
	Voc	-0.35%/°C			
	Isc	0.060%/°C			
	NOCT	45°C			

Under Standard Test Conditions (STC) of irradiance of 1000W/m², spectrum AM 1.5 and cell temperature of 25°C

Mechanical Data

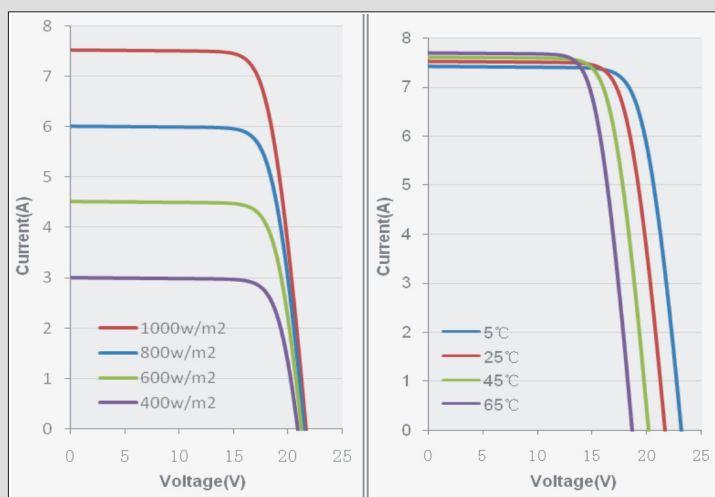
Cell Type	Poly-crystalline / Mono-crystalline
Cell Arrangement	36(4*9)
Dimensions	1485x666x40mm(58.4x26.2x1.57 in)
Weight	12.0kg(26.5lbs)
Front Cover	Tempered glass
Frame Material	Anodized aluminum alloy
Standard packaging (Modules per Pallet)	20pcs

Engineering Drawings



*Specifications included in this datasheet are subject to change without prior notice.

I-V Curves



About Canadian Solar

Canadian Solar is a vertically-integrated manufacturer of ingots, wafers, cells, solar modules and custom-designed solar power applications. Canadian Solar was founded in Canada in 2001 and was successfully listed on NASDAQ Exchange (symbol: CSIQ) in November 2006.

By the end of 2008, Canadian Solar has a module capacity of over 600MW. With revenue of 709.2 million dollars in 2008, a 134% growth in revenue over 2007, Canadian Solar has become one of the fastest-growing companies in the solar industry.

Headquarters | 675 Cochrane Drive | East Tower 6th Floor
 Markham, Ontario | Canada, L3R 0B8
 Tel: +1-905-530-2334
 Fax: +1-905-530-2001
inquire.ca@canadian-solar.com
www.canadian-solar.com